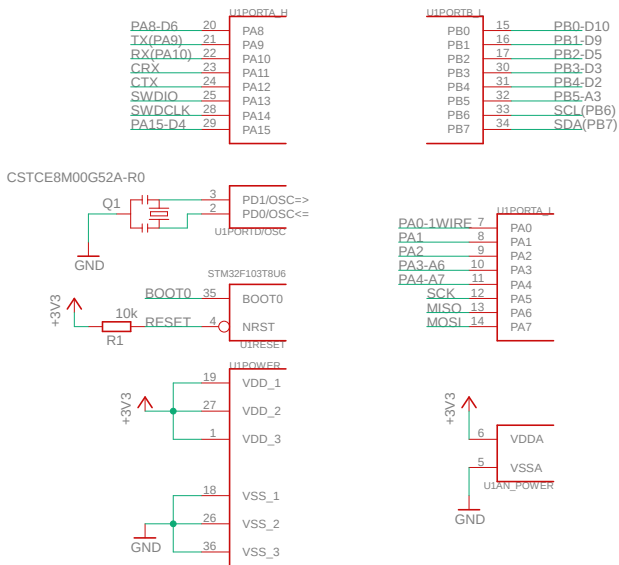
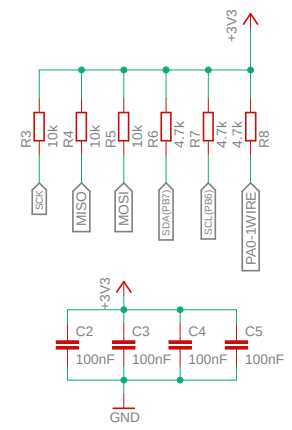


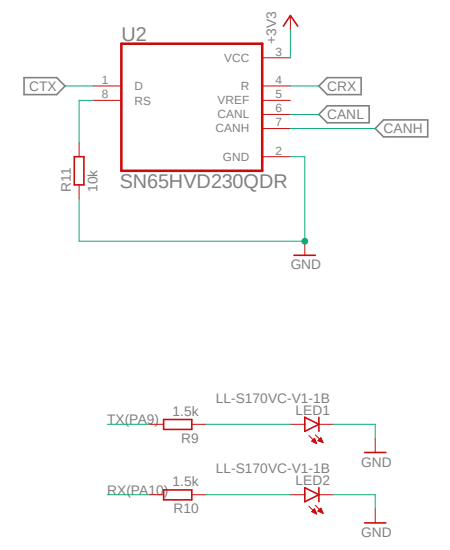
# STM32F103T8Ux



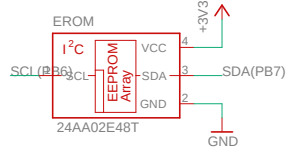
# Resistors, Capacitors



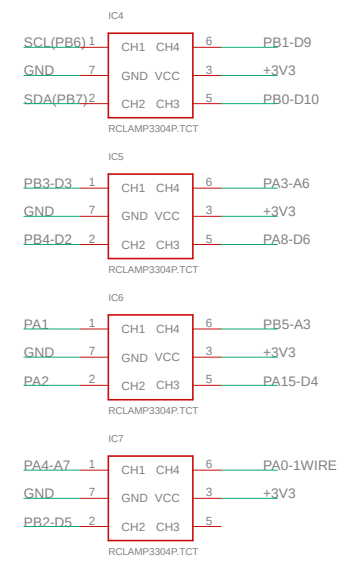
# CAN



# EEPROM



# ESD Protection



# I/O

